

Includes new 4000lb IBC
and 5000lb AIA Models

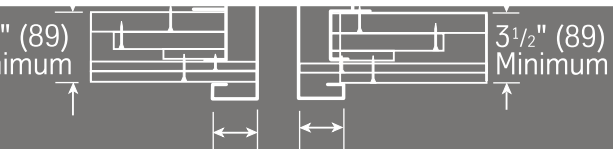


pre-engineered
oilraulic elevators
2008 planning guide

ThyssenKrupp Elevator
Americas Business Unit



ThyssenKrupp



Design, Performance, Dependability

At ThyssenKrupp Elevator, we believe that listening to our customers is of critical importance. While technological expertise makes our products and services possible, we know that listening to our customers is what keeps us at the top of our industry. Our commitment to listening has led us to be innovative in satisfying our customers and to continuously strive to meet those needs.

Because of this commitment, ThyssenKrupp Elevator is pleased to offer our AMEE™ Series of holeless hydraulic elevators. Always the Market Leader in Oildraulic® technology, we take you to heights never before possible with a holeless jack.

ThyssenKrupp Oildraulic Elevators have been the industry standard since 1937. In fact, we invented the hydraulic elevator. We manufacture and install more hydraulic elevators than any other manufacturer in North America. Our Oildraulic elevators are supported and raised by powerful hydraulic jacks, resulting in smooth acceleration and deceleration, quiet operation and accurate floor leveling. The key to this remarkable performance is our I-Series® valve. This patented valve controls the flow of oil to the plunger and gives the exact supply necessary for smooth rides and gentle starts and stops.

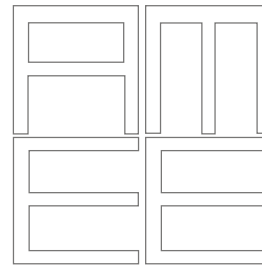
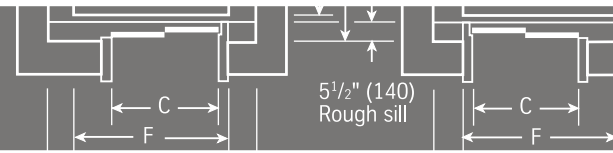
Because the Oildraulic elevator is supported from below, it offers significant advantages in construction. Hoistways may be of lighter construction since no vertical load is placed on the building itself. And because no expensive penthouse is needed, a flat roof line is possible. Machine rooms are not required at specific locations; instead, the machine can fit into just about any available space.

Our Oildraulic elevators are designed in several pre-engineered packages to meet the specific needs of your project. And it's amazingly simple to determine which system you need with the assistance of Architect Direct Pro™ at thyssenkruppelevator.com. Visit our website to learn more about this revolutionary on-line elevator selection tool, and about the world's leading line of Oildraulic elevators.

Table of Contents

The AMEE Series	5-7
Twinpost and Telescopic Section Views	5
Holeless Pre-Engineered Passenger	6
Holeless Pre-Engineered Patient-Care	7
Conventional Pre-Engineered Hydraulic Elevators	8-11
Holed Hoistway Section View	8
Holed Pre-Engineered Passenger	9
Holed Pre-Engineered Patient-Care	10
Hydraulic Machine Room Requirements	11
Cab Options	12-13
Elevator Door/Entrance Details	14
Work By Others	15

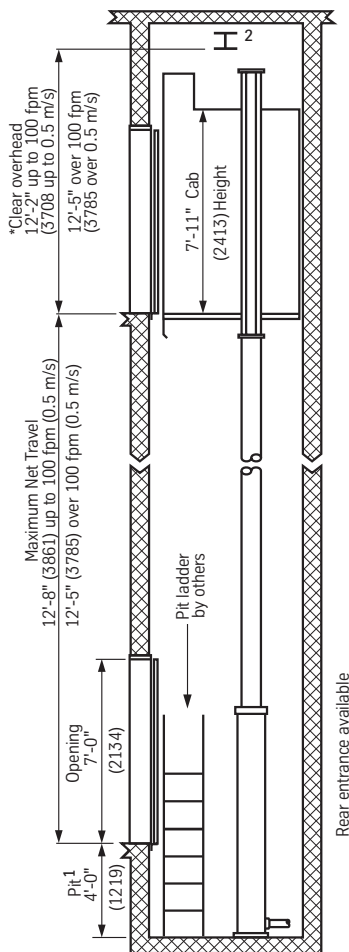
The AMEE Series Holeless Hoistway Section Views



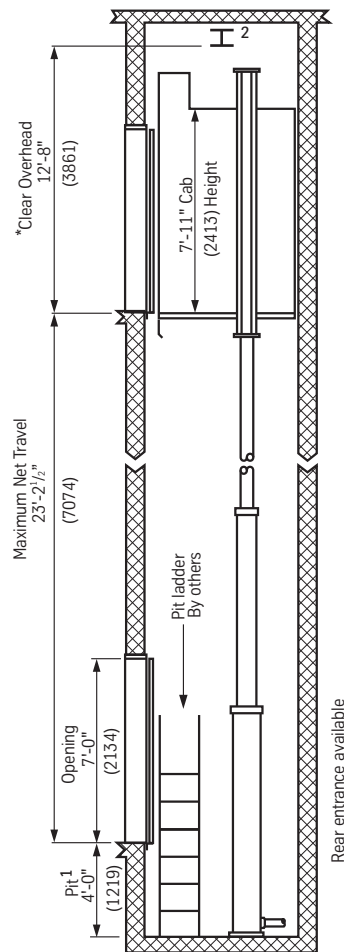
Advanced Material Elevator Evolution

ThyssenKrupp Elevator's AMEE line of 3-stage Telescoping holeless jacks are able to take you to new heights never before offered on any ThyssenKrupp Elevator holeless model. The three stage telescoping jack allows higher travel without increasing overhead. In fact, it allows travel up to approximately twenty feet higher than previous product offerings. The section views shown below apply to the AMEE Series applications.

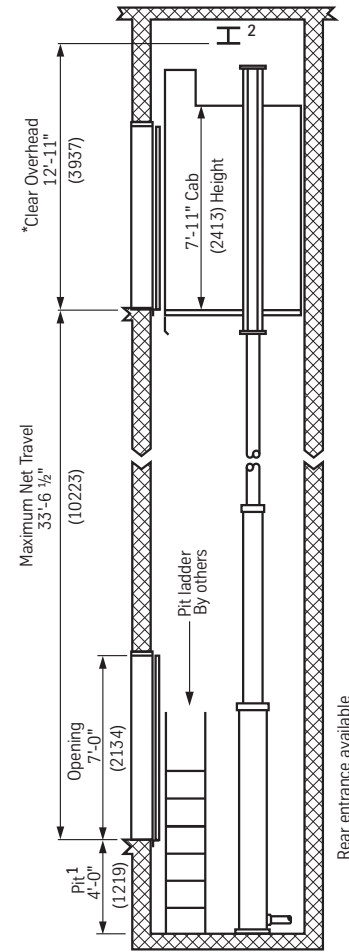
Twinpost Holeless



Twinpost Telescopic (2-Stage)



Twinpost Telescopic (3-Stage)



Additional Travel: Pit and/or overhead* must be increased 1" (25) for every 1" (25) of net travel over 12'-8" (3861) [13'-10" (4216) in Ontario] up to 18'-11" (5766) at 100 fpm (0.5 m/s) or less. Pit must be increased 1" (25) for every 1" (25) of net travel over 12'-5" (3785) [13'-7" (4140) in Ontario] up to 18'-8" (5690) above 100 fpm (0.5 m/s).

- 1 Pit: 5'-2" in Ontario.
- 2 Safety beam required per OSHA 1926.502, provided and installed by others, as directed by the local TKE office. Clear overhead is shown to the bottom of the safety beam.

* Maximum 2'-0" (610) allowed in overhead. If safety beams (by others) are used, they must not encroach into required clear overhead dimensions.

Additional Travel: Pit and/or overhead* depth increases 1" (25) for every 2" (51) increase over 23'-2 1/2" (7074) net travel [25'-6 1/2" (7785) in Ontario] up to 28'-6" (8686) net travel.

- 1 Pit: 5'-2" in Ontario.
- 2 Safety beam required per OSHA 1926.502, provided and installed by others, as directed by the local TKE office. Clear overhead is shown to the bottom of the safety beam.

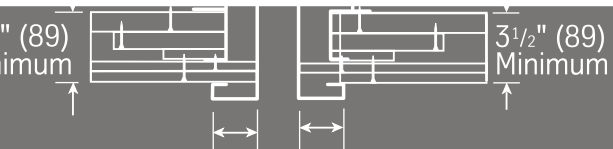
* Maximum 2'-0" (610) allowed in overhead. If safety beams (by others) are used, they must not encroach into required clear overhead dimensions.

Additional Travel: Pit and/or overhead* depth increases 1" (25) for every 3" (77) increase over 33'-6 1/2" (10223) net travel [37'-0 1/2" (11290) in Ontario] up to 48'-3 1/2" (14719).

- 1 Pit: 5'-2" in Ontario.
- 2 Safety beam required per OSHA 1926.502, provided and installed by others, as directed by the local TKE office. Clear overhead is shown to the bottom of the safety beam.

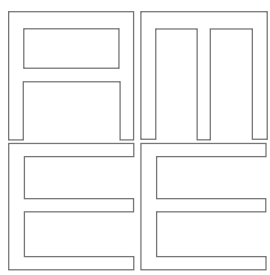
* Maximum 2'-0" (610) allowed in overhead. If safety beams (by others) are used, they must not encroach into required clear overhead dimensions.

Note: All dimensions in parentheses are in millimeters unless otherwise indicated. Dimensional data shown here complies with the current ASME A17.1 and CSA B44 Safety Code for Elevators. Local codes may vary from the national codes. Consult your local ThyssenKrupp Elevator representative for details.



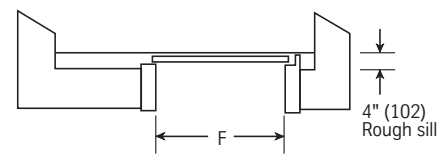
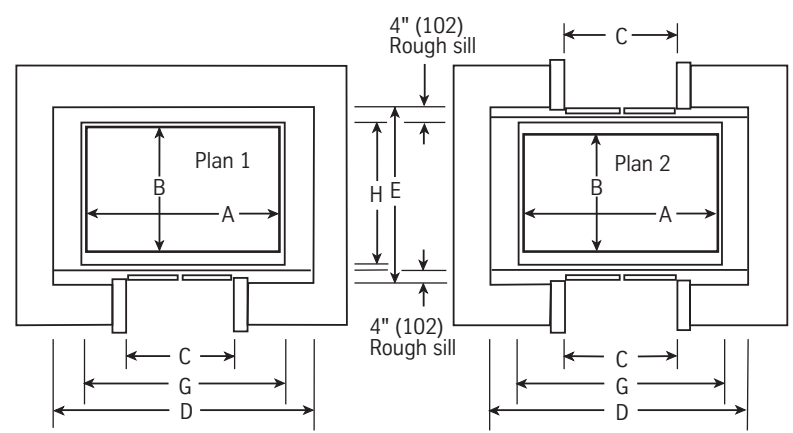
The AMEE Series

Holeless Pre-Engineered Passenger Elevators



Advanced Material Elevator Evolution

ThyssenKrupp Elevator now offers an AMEE 40 model, designed to meet the 2006 International Building Code (IBC) stretcher requirements. This 4000 pound model has a layout that is similar to our 2100 through 3500 pound Pre-Engineered models, but is provided with a wider clear inside to allow a stretcher or wheelchair to be rolled into the elevator, turned 90° and then rolled out.



Right hand door shown; left hand available

		AMEE 21	AMEE 25	AMEE 30	AMEE 35	AMEE 40 (IBC)
		Capacity in pounds				
Dimensions		2100 (953 kg)	2500 (1134 kg)	3000 (1361 kg)	3500 (1588 kg)	4000 (1814 kg)
A ¹	Plan 1	5'-8" (1727)	6'-8" (2032)	6'-8" (2032)	6'-8" (2032)	7'-8" (2337)
	Plan 2	5'-8" (1727)	6'-8" (2032)	6'-8" (2032)	6'-8" (2032)	7'-8" (2337)
B ¹	Plan 1	4'-3" (1295)	4'-3" (1295)	4'-9" (1448)	5'-5" (1651)	5'-5" (1651)
	Plan 2	4'-3 1/2" (1308)	4'-3 1/2" (1308)	4'-9 1/2" (1460)	5'-5 1/2" (1664)	5'-5 1/2" (1664)
C	Plan 1	N/A ²	3'-6" (1067)	3'-6" (1067)	3'-6" (1067)	4'-0" (1219)
	Plan 2	N/A ²	3'-6" (1067)	3'-6" (1067)	3'-6" (1067)	4'-0" (1219)
D ³	Plan 1	7'-4" (2235)	8'-4" (2540)	8'-4" (2540)	8'-4" (2540)	9'-4" (2845)
	Plan 2	7'-4" (2235)	8'-4" (2540)	8'-4" (2540)	8'-4" (2540)	9'-4" (2845)
E ³	Plan 1	5'-9" (1753)	5'-9" (1753)	6'-3" (1905)	6'-11" (2108)	6'-11" (2108)
	Plan 2	6'-8 3/4" (2051)	6'-8 3/4" (2051)	7'-2 1/4" (2203)	7'-10 1/4" (2407)	7'-10 3/4" (2407)
F	Plan 1	3'-0" (914)	3'-6" (1067)	3'-6" (1067)	3'-6" (1067)	3'-6" (1067)
	Plan 2	3'-0" (914)	3'-6" (1067)	3'-6" (1067)	3'-6" (1067)	3'-6" (1067)
G ⁴	Plan 1	6'-0" (1829)	7'-0" (2134)	7'-0" (2134)	7'-0" (2134)	8'-0" (2438)
	Plan 2	6'-0" (1829)	7'-0" (2134)	7'-0" (2134)	7'-0" (2134)	8'-0" (2438)
H ⁴	Plan 1	5'-1" (1550)	5'-1" (1550)	5'-7" (1702)	6'-3" (1905)	6'-3" (1905)
	Plan 2	5'-8 1/4" (1734)	5'-8 1/4" (1734)	6'-2 1/4" (1886)	6'-10 1/4" (2089)	6'-10 1/4" (2089)

1 Clear inside dimensions.
 2 Center opening doors not available on this model, see "F" dimensions.
 3 Hoistway dimensions. Add 4" (102) additional hoistway width for a 3-stage telescopic-jack application.
 4 Platform dimensions.
Note: For multiple elevators, add 4" (102) for a divider beam between hoistways.

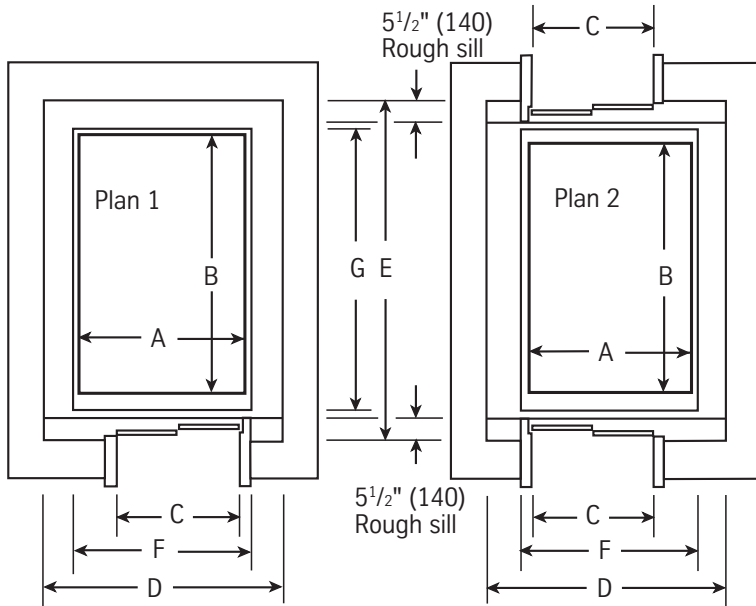
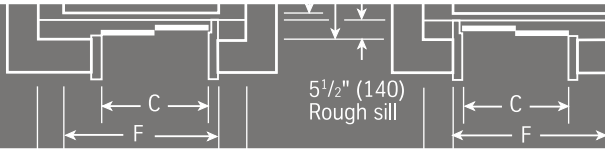
Available Speeds					
Twinpost Holeless	(fpm)	80	110	150	
	(m/s)	0.4	0.56	0.75	
Twinpost Telescopic (2-Stage)	(fpm)	80	110	150	
	(m/s)	0.4	0.56	0.75	
Twinpost Telescopic (3-Stage)	(fpm)	80	100	125	150
	(m/s)	0.4	0.5	0.65	0.75

Speeds and travel limitations may vary depending upon specific job requirements.

Note: All dimensions in parentheses are in millimeters unless otherwise indicated. Dimensional data shown here complies with the current ASME A17.1 and CSA B44 Safety Code for Elevators. Local codes may vary from the national codes. Consult your local ThyssenKrupp Elevator representative for details.

The AMEE Series

Holeless Pre-Engineered Patient-Care Elevators



Two-speed doors - both right and left hand available

These larger capacity models offer economical, dependable service for hospitals, nursing homes and other health-care facilities. These elevators are designed to be large enough to accommodate stretcher beds with attendants and individuals in wheelchairs, while efficiently serving visitor and staff traffic. The AMEE 45 and 50 models offer an optional 4'-6" wide door, keeping your elevators wide open to traffic flow.

Available Speeds

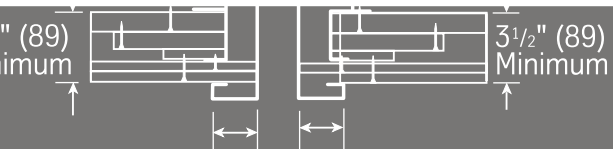
Twinpost Holeless	(fpm)	80	110	150	
		(m/s)	0.4	0.56	0.75
Twinpost Telescopic (2-Stage)	(fpm)	80	110	150	
	(m/s)	0.4	0.56	0.75	
Twinpost Telescopic (3-Stage)	(fpm)	80	100	125	150
	(m/s)	0.4	0.5	0.65	0.75

Speeds and travel limitations may vary depending upon specific job requirements.

		AMEE 45	AMEE 50	AMEE 50H (AIA)
		Capacity in pounds		
Dimensions		4500 (2041 kg)	5000 (2268 kg)	5000 (2268 kg)
A ¹	Plan 1	5'-8" (1727)	5'-8" (1727)	5'-8" (1727)
	Plan 2	5'-8" (1727)	5'-8" (1727)	5'-8" (1727)
B ²	Plan 1	7'-9 1/2" (2375)	8'-5" (2565)	9'-0" (2743)
	Plan 2	7'-10" (2388)	8'-5 1/2" (2578)	9'-0 1/2" (2756)
C	Plan 1	4'-0" (1219)	4'-0" (1219)	4'-0" (1219)
	Plan 2	4'-0" (1219)	4'-0" (1219)	4'-0" (1219)
C optional	Plan 1 & 2	4'-6" (1372)	4'-6" (1372)	4'-6" (1372)
D ²	Plan 1	7'-4" (2235)	7'-4" (2235)	7'-4" (2235)
	Plan 2	7'-4" (2235)	7'-4" (2235)	7'-4" (2235)
D ³ optional	Plan 1 & 2	8'-2" (2489)	8'-2" (2489)	8'-2" (2489)
E ²	Plan 1	9'-6 1/2" (2908)	10'-2" (3099)	10'-9" (3277)
	Plan 2	10'-9 1/4" (3283)	11'-4 3/4" (3473)	11'-11 3/4" (3651)
F ⁴	Plan 1	6'-0" (1829)	6'-0" (1829)	6'-0" (1829)
	Plan 2	6'-0" (1829)	6'-0" (1829)	6'-0" (1829)
G ⁴	Plan 1	8'-9" (2667)	9'-4 1/2" (2858)	9'-11 1/2" (3035)
	Plan 2	9'-5 3/4" (2889)	10'-1 1/4" (3080)	10'-8 1/4" (3258)

- 1 Clear inside dimensions.
- 2 Hoistway dimensions. Add 4" (102) additional hoistway width for a 3-stage telescopic jack application.
- 3 Required with 4'-6" (1372) doors. Add 2" (51) additional hoistway width for a 3-stage telescopic jack application.
- 4 Platform dimensions.

Note: For multiple elevators, add 4" (102) for a divider beam between hoistways.



The Conventional Series Hoistway Section Views

For buildings with up to 79'-0" of travel, ThyssenKrupp Elevator's in-ground jack is *still* your best solution. Supported and raised by a powerful hydraulic plunger, our Oildraulic® elevators remain unchallenged for smooth acceleration and deceleration, quiet operation, accurate floor leveling, long life, dependability and beauty.

Pre-Engineered Elevators

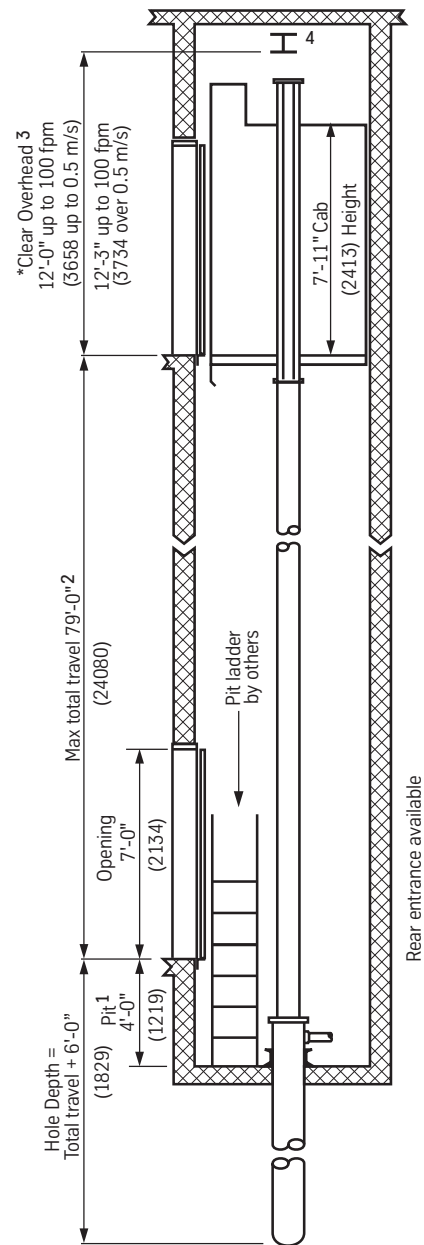
ThyssenKrupp Elevator is North America's premiere supplier of hydraulic elevators. Why? Because ThyssenKrupp Elevator delivers the kind of products and services on which we stake our reputation. We've been in the business of elevators since 1860. We originated the concept of a pre-engineered elevator and set the industry standard for hydraulic elevators.

And, we did this all with our Conventional Series of elevators. Featuring in-ground jacks, all of our pre-engineered elevators, from the Fleetwood model to the hospital-sized Continental and Kingswood models, have the options, features and accessories that you need.

And, of course, we offer unbeatable service on every major component in our entire line of Oildraulic elevators.

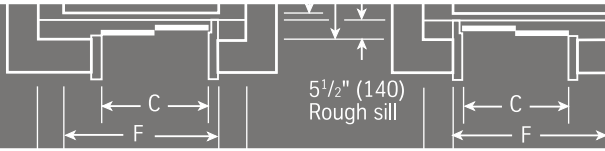
So, if an in-ground jack is right for your project, why not ThyssenKrupp Elevator's?

Conventional Jack



- 1 Pit: 5'-2" (1575) in Ontario.
 - 2 Travel limitations vary depending on model.
 - 3 If rule 2.14.1.7.1 of the ASME A17.1 safety code applies, and car top railing is required, then clear overhead requirements become 12'-5" up to 100 fpm (3786 up to 0.5 m/s) and 12'-8" over 100 fpm (3862 over 0.5 m/s).
 - 4 Safety beam required per OSHA 1926.502, provided and installed by others, as directed by the local TKE office. Clear overhead is shown to the bottom of the safety beam.
- * If safety beams (by others) are used, they must not encroach into required clear overhead dimensions.

The Conventional Series Holed Pre-Engineered Passenger Elevators



Fleetwood
Marquis
Seville
Kingswood

Dimensions	Fleetwood		Marquis	
	Plan 1	Plan 2	Plan 1	Plan 2
Capacity in pounds				
2100 (953 kg)		2500 (1134 kg)		
A ¹	5'-8" (1727)	5'-8" (1727)	6'-8" (2032)	6'-8" (2032)
B ²	4'-3" (1295)	4'-3 1/2" (1308)	4'-3" (1295)	4'-3 1/2" (1308)
C	N/A ⁴	N/A ⁴	3'-6" (1067)	3'-6" (1067)
D ²	7'-4" (2235)	7'-4" (2235)	8'-4" (2540)	8'-4" (2540)
E ²	5'-9" (1753)	6'-8 3/4" (2051)	5'-9" (1753)	6'-8 3/4" (2051)
F	3'-0" (914)	3'-0" (914)	3'-6" (1067)	3'-6" (1067)
G ³	6'-0" (1829)	6'-0" (1829)	7'-0" (2134)	7'-0" (2134)
H ³	5'-1" (1550)	5'-8 1/4" (1734)	5'-1" (1550)	5'-8 1/4" (1734)
Seville 30				
3000 (1361 kg)		3500 (1588 kg)		
A ¹	6'-8" (2032)	6'-8" (2032)	6'-8" (2032)	6'-8" (2032)
B ²	4'-9" (1448)	4'-9 1/2" (1460)	5'-5" (1651)	5'-5 1/2" (1664)
C	3'-6" (1067)	3'-6" (1067)	3'-6" (1067)	3'-6" (1067)
D ²	8'-4" (2540)	8'-4" (2540)	8'-4" (2540)	8'-4" (2540)
E ²	6'-3" (1905)	7'-2 1/4" (2203)	6'-11" (2108)	7'-10 1/4" (2407)
F	3'-6" (1067)	3'-6" (1067)	3'-6" (1067)	3'-6" (1067)
G ³	7'-0" (2134)	7'-0" (2134)	7'-0" (2134)	7'-0" (2134)
H ³	5'-7" (1702)	6'-2 1/4" (1886)	6'-3" (1905)	6'-10 1/4" (2089)
Kingswood 40 (IBC)				
4000 (1814 kg)				
A ¹	7'-8" (2337)	7'-8" (2337)		
B ²	5'-5" (1651)	5'-5 1/2" (1664)		
C	4'-0" (1219)	4'-0" (1219)		
D ²	9'-4" (2845)	9'-4" (2845)		
E ²	6'-11" (2108)	7'-10 1/4" (2407)		
F	3'-6" (1067)	3'-6" (1067)		
G ³	8'-0" (2438)	8'-0" (2438)		
H ³	6'-3" (1905)	6'-10 1/4" (2089)		

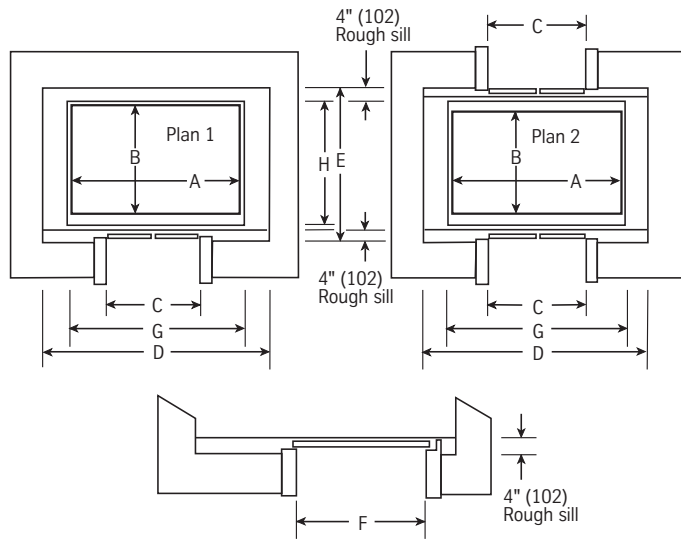
Standard speeds available 80 fpm (0.4 m/s), 100 fpm (0.5 m/s), 125 fpm (0.65 m/s), 150 fpm (0.75 m/s), 175 fpm (0.9 m/s), 200 fpm (1.0 m/s)

Speeds and travel limitations may vary depending upon specific job requirements.

- 1 Clear inside dimensions.
- 2 Hoistway dimensions.
- 3 Platform dimensions.
- 4 Center opening doors not available on this model, see "F" dimensions for side slide doors.

Note: For multiple elevators, add 4" (102) for divider beam.

To install the best elevator, first you must make the best elevator. At ThyssenKrupp Elevator, we don't rely on other manufacturers to develop and supply the major components of our elevator systems. We're not the assemblers. We manufacture the major components of our elevators to ensure that our strict quality standards are met. By making quality control inherent in every step of the process, we provide you with a more reliable and durable end product.

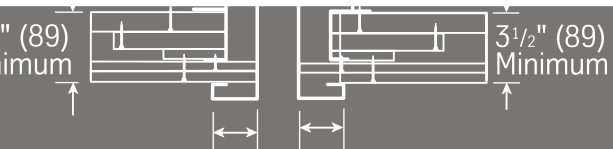


Right hand door shown; left hand available

Available Speeds

Conventional Jack	(fpm)	80	100	125	150	175	200
	(m/s)	0.4	0.5	0.65	0.75	0.9	1.0

Speeds and travel limitations may vary depending upon specific job requirements.



The Conventional Series

Holed Pre-Engineered Patient-Care Elevators

Continental 45

Continental 50

Continental 50H

Our Kingswood (see page 9) and Continental models offer economical, dependable service to hospitals, nursing homes and other buildings that require more platform area for transporting gurneys or equipment. Our Conventional Series is designed in these pre-engineered plans to meet the specific needs of your project.

Dimensions	Continental 45		Continental 50		Continental 50H (AIA)	
	Plan 1	Plan 2	Plan 1	Plan 2	Plan 1	Plan 2
Capacity in pounds						
	4500 (2041 kg)		5000 (2268 kg)		5000 (2268 kg)	
A¹	5'-8" (1727)	5'-8" (1727)	5'-8" (1727)	5'-8" (1727)	5'-8" (1727)	5'-8" (1727)
B¹	7'-9 1/2" (2375)	7'-10" (2388)	8'-5" (2565)	8'-5 1/2" (2578)	9'-0" (2743)	9'-0 1/2" (2756)
C	4'-0" (1219)	4'-0" (1219)	4'-0" (1219)	4'-0" (1219)	4'-0" (1219)	4'-0" (1219)
C^{optional}	4'-6" (1372)	4'-6" (1372)	4'-6" (1372)	4'-6" (1372)	4'-6" (1372)	4'-6" (1372)
D²	7'-4" (2235)	7'-4" (2235)	7'-4" (2235)	7'-4" (2235)	7'-4" (2235)	7'-4" (2235)
D^{3 optional}	8'-2" (2489)	8'-2" (2489)	8'-2" (2489)	8'-2" (2489)	8'-2" (2489)	8'-2" (2489)
E²	9'-6 1/2" (2908)	10'-9 1/4" (3283)	10'-2" (3099)	11'-4 1/4" (3473)	10'-9" (3277)	11'-11 1/4" (3651)
F⁴	6'-0" (1829)	6'-0" (1829)	6'-0" (1829)	6'-0" (1829)	6'-0" (1829)	6'-0" (1829)
G⁴	8'-9" (2667)	9'-5 1/2" (2889)	9'-4 1/2" (2858)	10'-1 1/4" (3080)	9'-11 1/2" (3035)	10'-8 1/4" (3258)

Standard speeds available 80 fpm (0.4 m/s), 100 fpm (0.5 m/s), 125 fpm (0.65 m/s), 150 fpm (0.75 m/s), 175 fpm (0.9 m/s), 200 fpm (1.0 m/s)
 Speeds and travel limitations may vary depending upon specific job requirements.

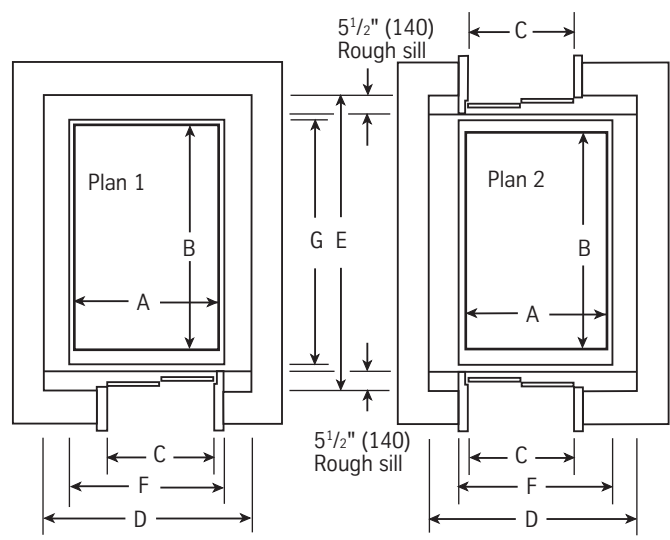
- 1 Clear inside dimensions.
- 2 Hoistway dimensions.
- 3 Required with 4'-6" (1372) doors.
- 4 Platform dimensions.

Note: For multiple elevators, add 4" (102) for divider beam.

Available Speeds

Conventional Jack	(fpm)						
		80	100	125	150	175	200
	(m/s)	0.4	0.5	0.65	0.75	0.9	1.0

Speeds and travel limitations may vary depending upon specific job requirements.

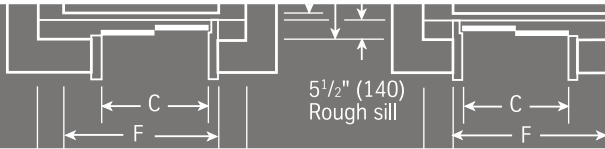


Two-speed doors - both right and left hand available

Note: All dimensions in parentheses are in millimeters unless otherwise indicated. Dimensional data shown here complies with the current ASME A17.1 and CSA B44 Safety Code for Elevators. Local codes may vary from the national codes. Consult your local ThyssenKrupp Elevator representative for details.

Machine Room Requirements

Oldraulic Pre-Engineered Models



ThyssenKrupp Elevator's Pre-Engineered Oldraulic systems come in a wide variety of speeds, capacities and travel heights. These options determine the size and horsepower of the power unit, which in turn determines the size of the machine room. The most desirable machine room location is on the lowest floor served, adjacent to the elevator hoistway. It may, however, be located remote from the hoistway, if necessary. Please contact your local ThyssenKrupp Elevator representative for assistance in selecting the proper equipment and determining the space requirements for your building.

Single Car Machine Room Dimensions*

		A	B	C ¹
EP1 Power Unit	(ft-in)	6'-5"	6'-1"	3'-6"
	(mm)	1956	1854	1067
EP2 Power Unit	(ft-in)	7'-2"	7'-1 1/2"	4'-0"
	(mm)	2184	2172	1219
AP1² Power Unit	(ft-in)	7'-10"	5'-6"	3'-6"
	(mm)	2388	1676	1067
AP2² Power Unit	(ft-in)	9'-10"	5'-6"	4'-0"
	(mm)	2997	1676	1219

Two Car Machine Room Dimensions*

		D	E	F ¹
EP1 Power Unit	(ft-in)	9'-5"	9'-5"	3'-6"
	(mm)	2870	2870	1067
EP2 Power Unit	(ft-in)	10'-5 1/2"	10'-5 1/2"	4'-0"
	(mm)	3188	3188	1219
AP1² Power Unit	(ft-in)	10'-8"	6'-6"	3'-6"
	(mm)	3251	1981	1067
AP2² Power Unit	(ft-in)	14'-7"	7'-0 3/4"	4'-0"
	(mm)	4445	2153	1219

1 Clear opening

2 AP1 units pump up to 215 gallons (815 L) per minute. AP2 units pump from 216 gallons (819 L) to 350 gallons (1327 L) per minute.

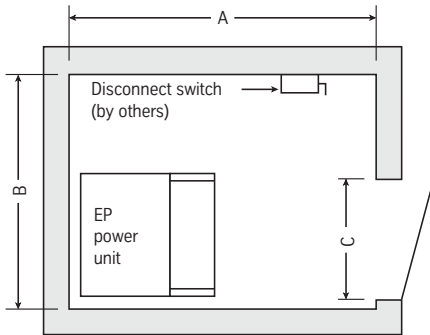
* Dimensions may vary based on job specific requirements.

1 Clear opening

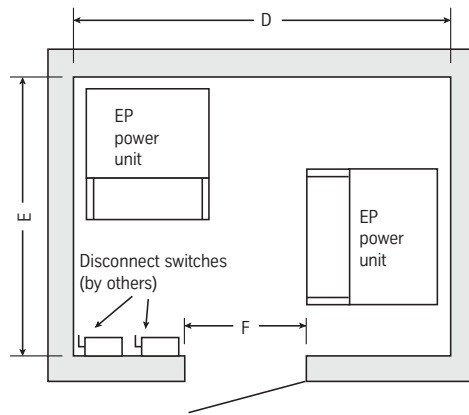
2 AP1 units pump up to 215 gallons (815 L) per minute. AP2 units pump from 216 gallons (819 L) to 350 gallons (1327 L) per minute.

* Dimensions may vary based on job specific requirements.

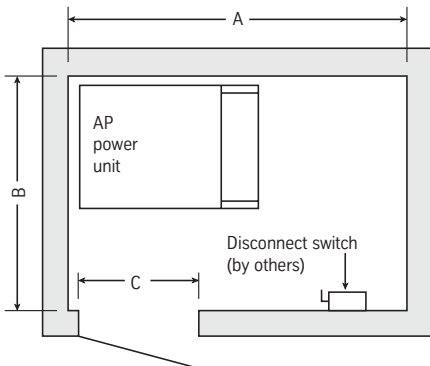
Single Car With EP Submersible



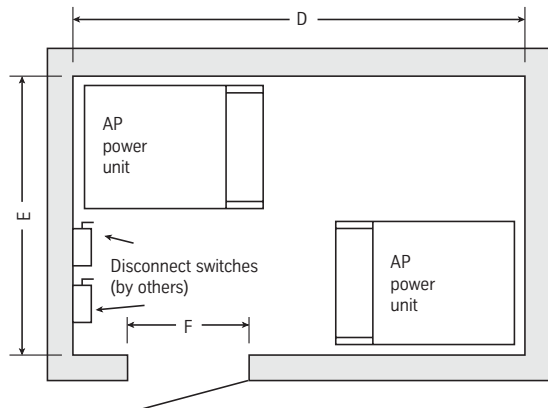
Two Cars With EP Units



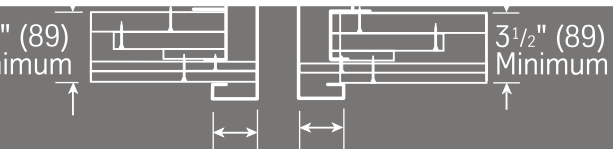
Single Car With AP Unit



Two Cars With AP Units



Note: All dimensions in parentheses are in millimeters unless otherwise indicated. Dimensional data shown here complies with the current ASME A17.1 and CSA B44 Safety Code for Elevators. Local codes may vary from the national codes. Consult your local ThyssenKrupp Elevator representative for details.



Cab Options Design Perfection

Standard Cab Design

As shown below, our standard cab includes laminated plastic walls, a suspended ceiling with baked enamel frame, brushed stainless steel fronts with column type swing return and baked enamel doors. Our new Signa4™ signal fixtures are included as the standard in all TKE cabs.



Walls

Standard Designs

- Laminated Plastic (TKLP)
- Flat Steel Wall (TKS) (not shown)

Upgrade Designs

- Raised Applied Panels (TKAP)



- Available Styles:
- Vertical
 - Horizontal

Available Panel Finishes:

- Plastic Laminate
- Stainless Steel #4 #8 5WL
- Bronze Finish #4 #8

Available Reveal Finishes:

- Baked Enamel
- Stainless Steel #4 #8
- Bronze Finish #4 #8

Custom Veneer Applied Panel



- Available Panel Finishes:
- Mahogany
 - Maple
 - Walnut
 - Red Oak
 - Cherry

Doors

Our standard door height is 7'-0" (2134), but doors can be constructed up to 9'-0" (2743). Baked enamel and plastic laminate doors include a kickplate to match fronts. Doors have a baked enamel finish from our standard selector; or, provide us a paint sample and we can mix a color to your specifications.



Center-opening doors are standard for the 2500, 3000, 3500 and 4000 pound capacity models.



Single-speed doors are standard for AMEE 20C, AMEE 25C, and 2100 pound capacity models.



Two-speed doors are standard for 4500 and 5000 pound capacity models. 4'-6" doors are available.

Upgrade Designs

- Stainless Steel #4 #8 5WL
- Bronze Finish #4 #8
- Plastic laminate without binders
- Plastic laminate with binders



Binders frame your plastic laminate doors.

- Stainless Steel #4 #8
- Bronze Finish #4 #8

Sills

Standard Design



- Aluminum

Upgrade Designs



- Bronze Finish



- Nickel Silver

Fronts

Standard Design



Column Type

Available Finishes:

- Stainless Steel #4 #8 5WL
- Bronze Finish #4 #8

Upgrade Designs



Wrap Around

Available Finishes:

- Stainless Steel #4 #8 5WL
- Bronze Finish #4 #8



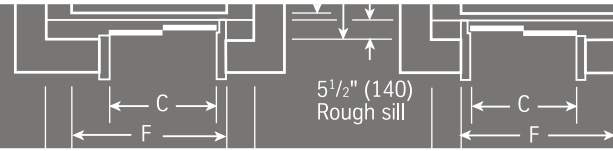
Full-Width Wrap Around

Available Finishes:

- Stainless Steel #4 #8 5WL
- Bronze Finish #4 #8

For more architectural products selections, contact your ThyssenKrupp Elevator sales representative.

Note: All dimensions in parentheses are in millimeters unless otherwise indicated. Dimensional data shown here complies with the current ASME A17.1 and CSA B44 Safety Code for Elevators. Local codes may vary from the national codes. Consult your local ThyssenKrupp Elevator representative for details.



Ceilings

All of our suspended ceilings are mounted 7'-4" (2235) above the finished floor. Ceilings can be raised by extending the cab height.

Standard Design

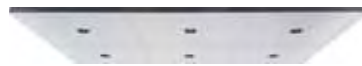


Baked enamel suspended frame with white translucent light diffusers.

Available Frame Finishes:

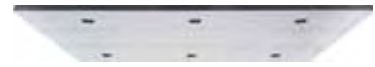
- Stainless Steel #4 #8
 Bronze Finish #4 #8

Upgrade Designs



Island Type Halogen Downlight (Wood Core)

- Plastic Laminate
 Stainless Steel #4 #8 5WL
 Bronze Finish #4 #8



Halogen Downlights

- Baked Enamel
 Stainless Steel #4 #8 5WL
 Bronze Finish #4 #8



Island Type Perimeter Lighting (Wood Core)

- Plastic Laminate
 Stainless Steel #4 #8 5WL
 Bronze Finish #4 #8



Disc Light Available Panel and Frame Finishes:

- Baked Enamel
 Stainless Steel #4 #8
 Bronze Finish #4 #8



Incandescent Downlight

- Baked Enamel
 Stainless Steel #4 #8 5WL
 Bronze Finish #4 #8

Handrails

Our handrails provide quality and durability with style and attractiveness.



Continuous Bar

Sizes available are: 1/4"(6) wide by:

- 2"(50) 4"(102) 6"(152)
 Stainless Steel #4 #8
 Bronze Finish #4 #8



Cylindrical

Sizes available are:

- 1 1/2" (38) diameter 2" (50) diameter
 Stainless Steel #4 #8
 Bronze Finish #4 #8

For more architectural products selections, contact your ThyssenKrupp Elevator sales representative.

Note: All dimensions in parentheses are in millimeters unless otherwise indicated. Dimensional data shown here complies with the current ASME A17.1 and CSA B44 Safety Code for Elevators. Local codes may vary from the national codes. Consult your local ThyssenKrupp Elevator representative for details.

Standard Glassback Arrangements

Glassback cab options can be incorporated into any standard cab type as a premium option.



Full Height

Glass above and below handrail



Above Handrail

Modesty panel below handrail matches wall finish

Frame Finish:

- Baked Enamel Aluminum
 Stainless Steel Bronze

Miscellaneous Upgrades

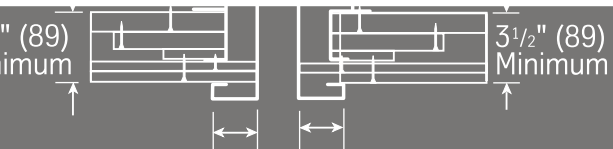


Extended Cab

(Higher ceilings for transport of tall objects)

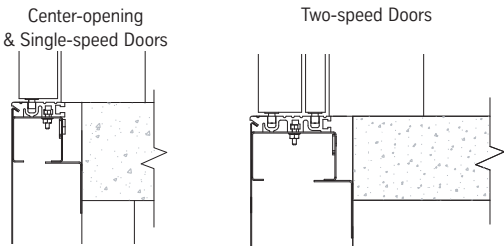


Protection pads for fronts and walls

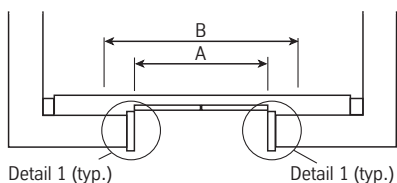


Passenger Elevator Door ThyssenKrupp Entrance Details

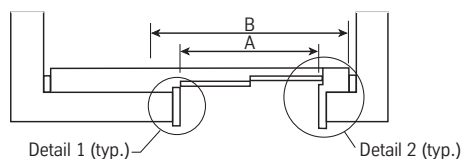
Sill Support Supplied by ThyssenKrupp Elevator



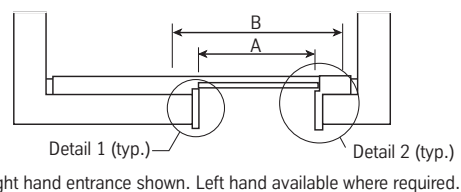
Center-opening Doors



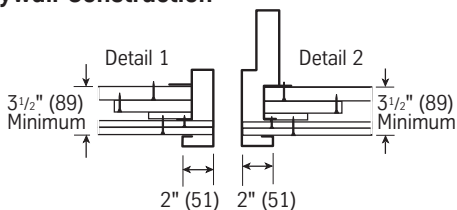
Two-speed Doors



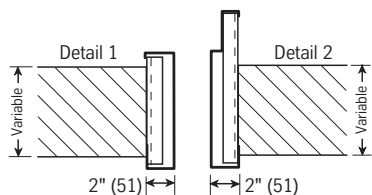
Single-speed Doors



Drywall Construction



Masonry Construction



Single-speed Doors

A - Clear Opening B - Rough Opening

AMEE 20C and all 2100lb models	(ft-in)	3'-0"	4'-3"
	(mm)	914	1295
AMEE 25C and all 2500, 3000, 3500 & 4000lb models	(ft-in)	3'-6"	4'-9"
	(mm)	1067	1448

Center-Opening Doors

All 2500, 3000 & 3500lb models	(ft-in)	3'-6"	4'-9"
	(mm)	1067	1448
All 4000lb models	(ft-in)	4'-0"	5'-3"
	(mm)	1219	1600

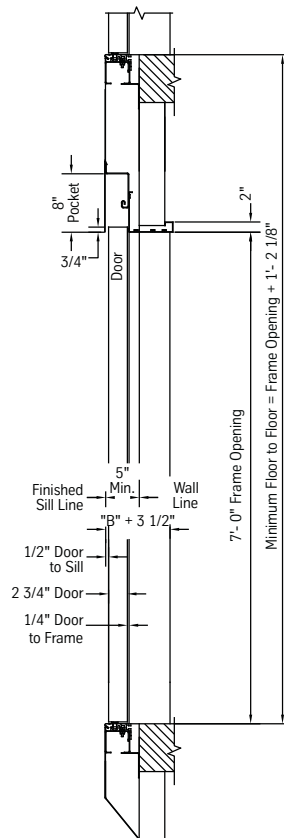
Standard Two Speed Doors

All 4500 and 5000lb models	(ft-in)	4'-0"	5'-3"
	(mm)	1219	1600

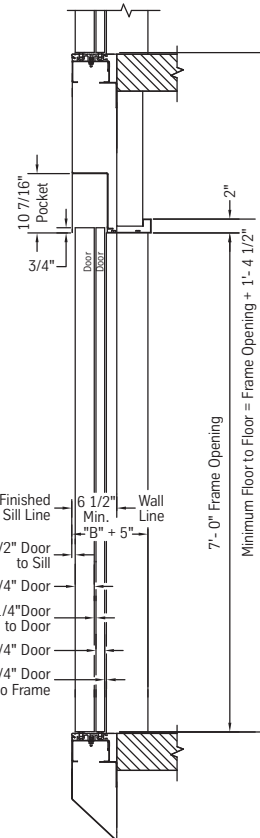
Optional Two-Speed Doors (4'-6" Wide)

All 4500 and 5000lb models	(ft-in)	4'-6"	5'-9"
	(mm)	1372	1753

Center-opening & Single-speed Doors



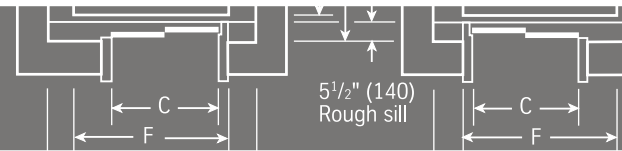
Two-speed Doors



Note: Front walls should be left out until entrances are set in place or leave a minimum rough opening that is 15" (381) wider and 15" (381) higher than frame opening of doorway.

Note: For openings over 8'-0" (2438) consult factory.

Note: These diagrams show wall thickness and construction detail required in order to supply a minimum 1 1/2 HR. Warnock Hersey Label on entrances. Contact your local ThyssenKrupp Elevator representative for additional details.



Work Not Included in the Elevator Contract*

General contractor shall provide the following in accordance with the requirements of the Model Building Code and ANSI A17.1 Code. For specific rules, refer to ANSI A17.1, Section 300 for hydraulic elevators. State or local requirements must be used if more stringent.

1. Elevator safety beam to be provided at top of elevator shaft. Beam must be able to accommodate proper loads and clearances for elevator installation and operation.
2. Supply in ample time for installation by other trades, inserts, anchors, bearing plates, brackets, supports and bracing including all setting templates and diagrams for placement.
3. Hatch walls require a minimum two hours of fire rating. Hoistway should be clear and plumb with variations not to exceed 1/2" at any point.
4. Elevator hoistways shall have barricades, as required.
5. Install bevel guards at 75° on all recesses, projections or setbacks over 2" (4" for A17.1 2000 areas) except for loading or unloading.
6. Provide rail bracket supports at pit, each floor and roof. For guide rail bracket supports, provide divider beams between hoistway at each floor and roof.
7. Pit floor shall be level and free of debris. Reinforce dry pit to sustain normal vertical forces from rails and buffers.
8. Where pit access is by means of the lowest hoistway entrance, a vertical ladder of non-combustible material extending 42" minimum, (48" minimum for A17.1-2000 areas) shall be provided at the same height, above sill of access door or handgrips.
9. Machine room to be enclosed and protected.
10. Machine Room temperature must be maintained between 55° and 90° F.
11. If machine room is remote from the elevator hoistway, clear access must be available above the ceiling or metal/concrete raceways in floor for oil line and wiring duct from machine room.
12. Access to the machinery space and machine room must be in accordance with the governing authority or code.
13. Provide an 8" x 16" cutout through machine room wall, for oil line and wiring duct, coordinated with elevator contractor at the building site.
14. All wire and conduit should run remote from either the hoistways or the machine room.
15. When heat, smoke or combustion sensing devices are required, connect to elevator machine room terminals. Contacts on the sensors should be sided for 120 volt D.C.
16. Install and furnish finished flooring in elevator cab.
17. Finished floors and entrance walls are not to be constructed until after sills and door frames are in place. Consult elevator contractor for rough opening size. The general contractor shall supply the drywall framing so that the wall fire resistance rating is maintained, when drywall construction is used.
18. Where sheet rock or drywall construction is used for front walls, it shall be of sufficient strength to maintain the doors in true lateral alignment. Drywall contractor to coordinate with elevator contractor.
19. Before erection of rough walls and doors; erect hoistway sills, headers, and frames. After rough walls are finished; erect fascias and toe guards. Set sill level and slightly above finished floor at landings.
20. To maintain legal fire rating (masonry construction), door frames are to be anchored to walls and properly grouted in place.
21. The elevator wall shall interface with the hoistway entrance assembly and be in strict compliance with the elevator contractor's requirements.
22. General Contractor shall fill and grout around entrances, as required.
23. Elevator sill supports shall be provided at each opening.
24. All walls and sill supports must be plumb where openings occur.
25. For applications with jack hole, free and clear access to the elevator pit area for the jack hole-drilling rig is required.
26. Where jack hole is required, remove all spoils from jack hole drilling.
27. When not provided by Elevator Contractor, jack hole shall accommodate the jack unit. If required the jack hole is to be provided in strict accordance with the elevator contractor's shop drawings.
28. Locate a light fixture and convenience outlet in pit with switch located adjacent to the access door.
29. A light switch and fused disconnect switch for each elevator should be located inside the machine room adjacent to the door, where practical, per the National Electrical Code (NFPA No. 70).
30. As indicated by elevator contractor, provide a light outlet for each elevator, in center of hoistway (or in the machine room).
31. For signal systems and power operated door: provide ground and branch wiring circuits, including main line switch. For car light and fan: provide a feeder and branch wiring circuits, including main line switch.
32. Wall thickness may increase when fixtures are mounted in drywall. These requirements must be coordinated between the general contractor and the elevator contractor.
33. Provide supports, patching and recesses to accommodate hall button boxes, signal fixtures, etc..
34. Locate telephone and convenience outlet on control panel.

*Refer to elevator layout drawings for details of each requirement.

version 05.08

All illustrations and specifications are based on information in effect at time of publication approval. ThyssenKrupp Elevator reserves the right to change specifications or design and to discontinue items without prior notice or obligation.

Copyright © 2008

ThyssenKrupp Elevator Corporation



ThyssenKrupp Elevator

P.O. Box 2177

Memphis, TN 38101

Tel: 877-230-0303 (Toll Free)

thyssenkruppelevator.com